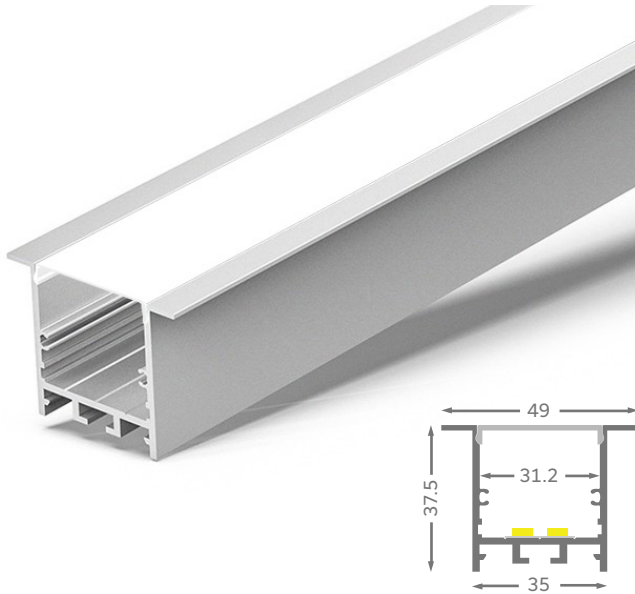


# Harrow 45



## STANDARD LED

	5w	10w	15w	20w
2700K	<input type="checkbox"/>	<input type="checkbox"/>	<input type="checkbox"/>	<input type="checkbox"/>
3000K	<input type="checkbox"/>	<input type="checkbox"/>	<input type="checkbox"/>	<input type="checkbox"/>
4000K	<input type="checkbox"/>	<input type="checkbox"/>	<input type="checkbox"/>	<input type="checkbox"/>

IP20  Standard unless otherwise indicated  
 IP44

## SPECIALIST LED

Hue - Tuneable White	17.1w	<input type="checkbox"/>
Sunset - Dim to Warm	9.6w	<input type="checkbox"/>
RGB	17.3w	<input type="checkbox"/>
RGBW	19.2w	<input type="checkbox"/>
COB Continuous Phosphor	10w	<input type="checkbox"/>
2700K	<input type="checkbox"/>	
3000K	<input type="checkbox"/>	
4000K	<input type="checkbox"/>	

IP20  Standard unless otherwise indicated  
 IP65

## HIGH OUTPUT LED IP20

	25w	34w
2700K	<input type="checkbox"/>	<input type="checkbox"/>
3000K	<input type="checkbox"/>	<input type="checkbox"/>
4000K	<input type="checkbox"/>	<input type="checkbox"/>

## DIMMING OPTIONS

DALI

0-10V  PLEASE SPECIFY

Phase

Other

24V DRIVERS SOLD SEPARATELY

## FEATURES

- Slim and compact primary lighting solution
- Designed for recessed installation
- Clip-in diffuser for ease of install
- Standard 2-meter profiles available. Custom lengths made to order.



5 meter max LED reels



Supplied in kit form



24V DC



2m Profiles Standard

## ACCESSORIES



End Caps

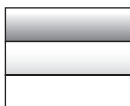


Mounting Clips



Joiners

## DIFFUSERS



Opal  Standard unless otherwise indicated  
 Frosted   
 Transparent

## FINISHES



Black   
 White   
 Anodized Aluminium   
 Custom

PLEASE SPECIFY COLOUR

# Harrow 45

## LED STRIP OUTPUTS

3 MACADAM ELLIPSE STEPS

Code	Colour Temp	Watts/m	LEDs/m	CRI	IP Rating	Lm/w	Lm/m
FLS5.27.140.20	2700K	5	140	>90	IP20	110	548
FLS10.27.140.20		10	140	>90	IP20	103	1037
FLS15.27.140.20		15	140	>90	IP20	100	1454
FLS20.27.140.20		20	140	>90	IP20	104	1990
FLS5.27.140.44	2700K	5	140	>90	IP44	109	517
FLS10.27.140.44		10	140	>90	IP44	102	1016
FLS15.27.140.44		15	140	>90	IP44	100	1425
FLS20.27.140.44		20	140	>90	IP44	103	1950
FLS5.30.140.20	3000K	5	140	>90	IP20	114	571
FLS10.30.140.20		10	140	>90	IP20	107	1133
FLS15.30.140.20		15	140	>90	IP20	101	1526
FLS20.30.140.20		20	140	>90	IP20	108	2093
FLS.5.30.140.44	3000K	5	140	>90	IP44	114	560
FLS10.30.140.44		10	140	>90	IP44	107	1110
FLS15.30.140.44		15	140	>90	IP44	101	1496
FLS20.30.140.44		20	140	>90	IP44	107	2051
FLS5.40.140.20	4000K	5	140	>90	IP20	122	610
FLS10.40.140.20		10	140	>90	IP20	116	1238
FLS15.40.140.20		15	140	>90	IP20	110	1570
FLS20.40.140.20		20	140	>90	IP20	116	2163
FLS.5.40.140.44	4000K	5	140	>90	IP44	121	597
FLS10.40.140.44		10	140	>90	IP44	115	1214
FLS15.40.140.44		15	140	>90	IP44	109	1538
FLS20.40.140.44		20	140	>90	IP44	113	2119