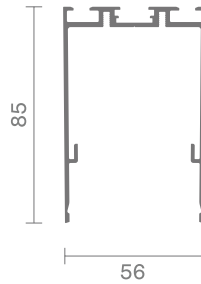
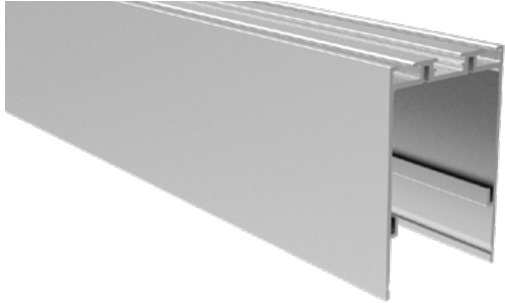


# Alta 60

## A60



Surface Mount



Suspension Mount

## FEATURES

- Modular design allows for flexible and seamless lighting solutions – simply plug and play.
- Tool-free installation increases efficiency and disassembly for easy maintenance.
- Single-point power entry up to 40m long.
- 2.5m standard profile length. Custom lengths upon request.



Modular Design



Supplied Kit Form



Standard 2.5m Length



IP20 Protection



Indoor Application

## MODULES



Diffuser



Spotlight



Prismatic



Louvre



Honeycomb



Grille

## LENGTH

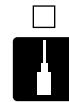
- 2500mm PLEASE SPECIFY
- Custom

## FINISH

- Black
- White
- Custom

PLEASE SPECIFY

## ACCESSORIES



Suspension Kit



Blind Cover

## CORNER ACCESSORIES

All corner accessories come with a blind cover



L90 (Down)



L90N (Inward)



L90W (Outward)



T90 (Down)

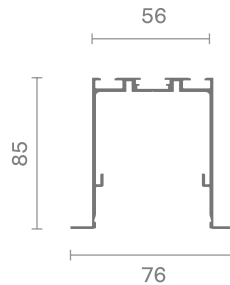


X90 (Down)

# Alta 60

## RECESSED

### A60R



Recess Mount

### FEATURES

- Modular recessed design allows for flexible and seamless lighting solutions – simply plug and play.
- Tool-free installation increases efficiency and disassembly for easy maintenance.
- Single-point power entry up to 40m long.
- 2.5m standard profile length. Custom lengths upon request.



Modular Design



Supplied Kit Form



Standard 2.5m Length



IP20 Protection



Indoor Application

### MODULES



Diffuser



Spotlight



Prismatic



Louvre



Honeycomb



Grille

### LENGTH

- 2500mm PLEASE SPECIFY
- Custom

### FINISH

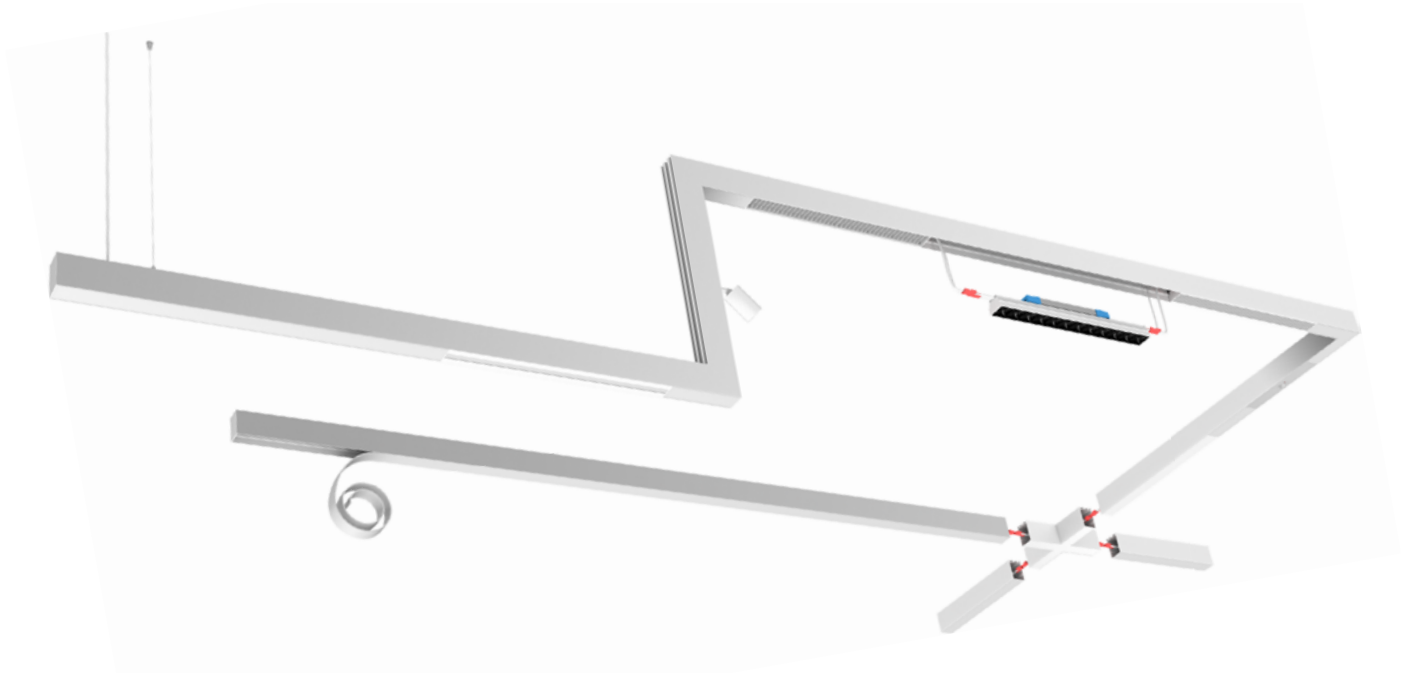
-  Black
-  White
-  Custom

PLEASE SPECIFY

### ACCESSORIES



Blind Cover



## PROFILE LENGTH FOR MODULES

A60FD A60FP A60HP A60BD	A60G	A60S-52WA
600 mm	572 mm	
1196 mm	1140 mm	299 mm
1792 mm	-	
2388 mm	2276 mm	

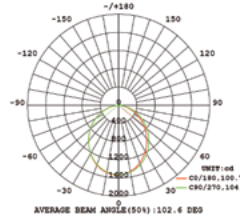
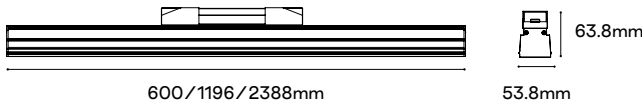
Calculate the required length of the profile according to the table. Module length indicates the length of the profile and the thickness of two end caps, where each end cap is 2mm thick.

# Alta 60

DIFFUSED

one'au

A60FD



## FEATURES

- Power supply included.
- Standard (S) and High-Efficient (HE) LED options.
- German-quality diffuser with uniform diffused light.



AC Input Voltage



SDCM <3



IP20 Protection



LED Lifetime >60,000h

## PARAMETERS

Length	Power	Lumen (S)	Lumen (HE)
600 mm	17 W	1904 lm	2431 lm
1196 mm	34 W	3808 lm	4862 lm
2388 mm	68 W	7616 lm	9724 lm

1. Physical specifications according to 4000K and Ra80, in a white finish.
2. Module length indicates the length of the profile and the thickness of two end caps, where each end cap is 2mm thick.
3. The listed are the typical values. Actual value may differ; changes may be made without notice. The tolerance of output data can vary up to 10%.
4. Lumen maintenance report and IES files upon request.
5. The luminous flux of the black finish is 82% of the white finish.

## COLOUR TEMPERATURE

- 2700K
- 3000K\*
- 3500K
- 4000K
- 5000K\*
- 6500K

\*Not Available in high-efficient LED

## COLOUR RENDERING

- CRI >80
- CRI >90

## LED EFFICACY

- S 112 lm/W
- HE 143 lm/W

## DIMMING

- Non-dim
- DALI
- 0-10V

## FINISH

- Black
- White

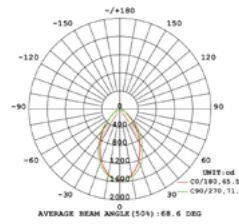
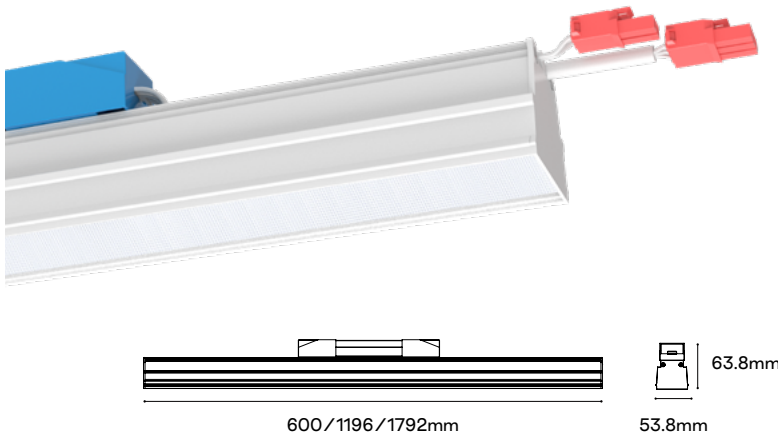
## LENGTH (MM)

- 600
- 1196
- 2388

# Alta 60

## PRISMATIC

A60FP



### COLOUR TEMPERATURE

- 2700K
- 3000K
- 3500K\*
- 4000K
- 5000K\*
- 6500K

\*Not Available in high-efficient LED

### COLOUR RENDERING

- CRI >80
- CRI >90

### LED EFFICACY

- S 110 lm/W
- HE 130 lm/W

### DIMMING

- Non-dim
- DALI
- 0-10V

### FINISH

- Black
- White

### LENGTH (MM)

- 600
- 1196
- 1792

### FEATURES

- Power supply included.
- BrightView Technologies prismatic lens and diffusion film assembly to achieve diffused low-glare lighting.



AC Input Voltage



SDCM <sub>3</sub>



IP20 Protection



LED Lifetime >60,000h



Low Glare UGR<sub>19</sub>

### PARAMETERS

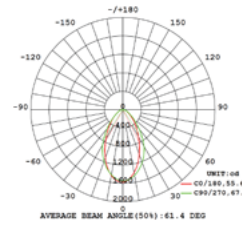
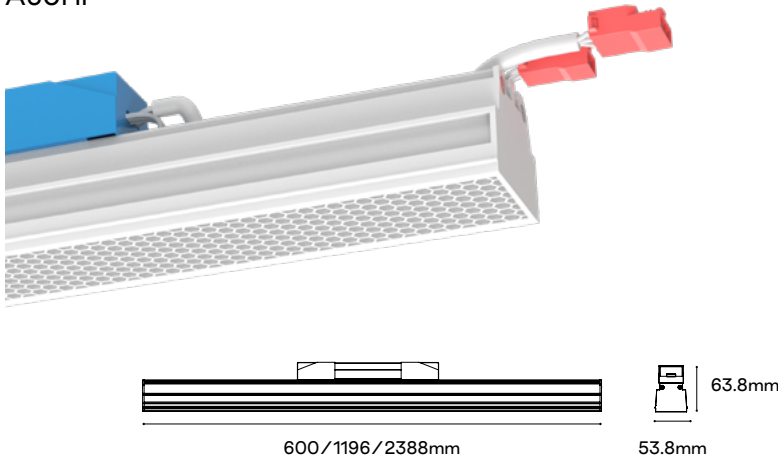
Length	Power	Lumen (S)	Lumen (HE)
600 mm	14 W	1200 lm	85 lm/W
1196 mm	28 W	3740 lm	
1792 mm	40 W	5060 lm	

1. Physical specifications according to 4000K and Ra80, in a white finish.
2. Module length indicates the length of the profile and the thickness of two end caps, where each end cap is 2mm thick.
3. The listed are the typical values. Actual value may differ; changes may be made without notice. The tolerance of output data can vary up to 10%.
4. Lumen maintenance report and IES files upon request.
5. Luminous flux of black finish is 84% of the white finish.

# Alta 60

## HONEYCOMB

A60HP



### COLOUR TEMPERATURE

- 2700K
- 3000K
- 3500K
- 4000K
- 5000K
- 6500K

### COLOUR RENDERING

- CRI >80
- CRI >90

### DIMMING

- Non-dim
- DALI
- 0-10V

### FINISH

- Black
- White

### LENGTH (MM)

- 600
- 1196
- 2388

### FEATURES

- Power supply included.
- BrightView Technologies prismatic lens and honeycomb assembly, with >30° shielding angle for soft and uniform low glare lighting.



AC Input Voltage



SDCM <3



IP20 Protection



LED Lifetime >60,000h



Low Glare UGR <19

### PARAMETERS

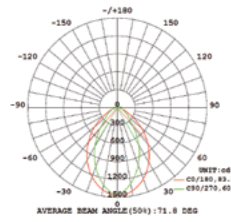
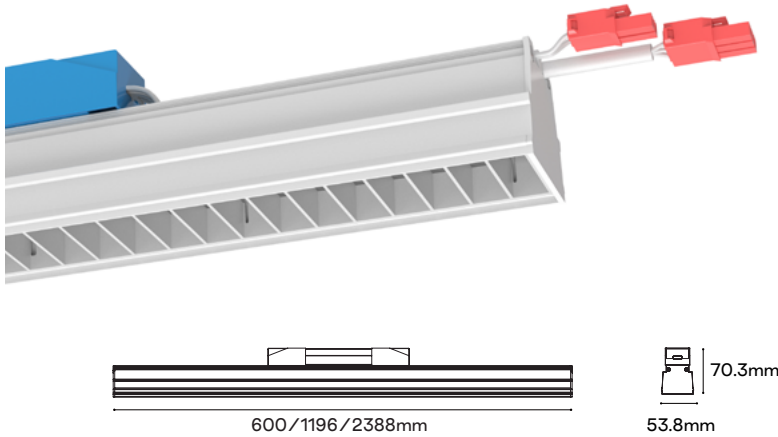
Length	Power	Lumen	Efficacy
600 mm	17 W	990 lm	60 lm/W
1196 mm	34 W	1980 lm	
2388 mm	68 W	3950 lm	

1. Physical specifications according to 4000K and Ra80, in a white finish.
2. Module length indicates the length of the profile and the thickness of two end caps, where each end cap is 2mm thick.
3. The listed are the typical values. Actual value may differ; changes may be made without notice. The tolerance of output data can vary up to 10%.
4. Lumen maintenance report and IES files upon request.
5. Luminous flux of black finish is 55% of the white finish.

# Alta 60

## LOUVER

A60BD



### FEATURES

- Power supply included.
- BrightView Technologies prismatic lens and louver assembly, with >30° shielding angle for soft and uniform low glare lighting.



AC Input Voltage



SDCM <3



IP20 Protection



LED Lifetime >60,000h



Low Glare UGR <19

### PARAMETERS

Length	Power	Lumen	Efficacy
600 mm	17 W	1110 lm	65 lm/W
1196 mm	34 W	2210 lm	
2388 mm	68 W	4420 lm	

1. Physical specifications according to 4000K and Ra80, in a white finish.
2. Module length indicates the length of the profile and the thickness of two end caps, where each end cap is 2mm thick.
3. The listed are the typical values. Actual value may differ; changes may be made without notice. The tolerance of output data can vary up to 10%.
4. Lumen maintenance report and IES files upon request.
5. Luminous flux of black finish is 84% of the white finish.

### COLOUR TEMPERATURE

- 2700K
- 3000K
- 3500K
- 4000K
- 5000K
- 6500K

### COLOUR RENDERING

- CRI >80
- CRI >90

### DIMMING

- Non-dim
- DALI
- 0-10V

### FINISH

- Black
- White

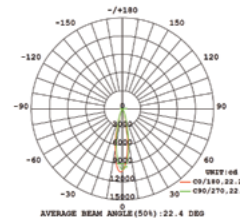
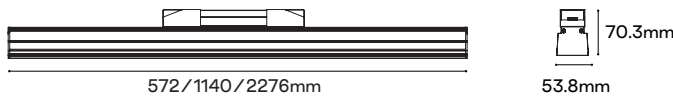
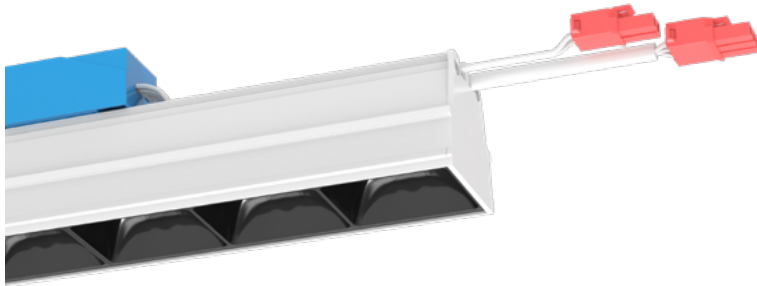
### LENGTH (MM)

- 600
- 1196
- 2388

# Alta 60

## GRILLE

A60G



### COLOUR TEMPERATURE

- 2700K
- 3000K
- 3500K
- 4000K
- 5000K
- 6500K

### COLOUR RENDERING

- CRI >80
- CRI >90

### DIMMING

- Non-dim
- DALI
- 0-10V

### FINISH

- Black
- White

BAFFLE TRIM BLACK FINISH ONLY

### LENGTH (MM)

- 572
- 1140
- 2276

### BEAM ANGLE

- 24° (UGR<13)
- 38° (UGR<10)

### FEATURES

- Power supply included.
- Grille module with precise light control, highly efficient lumen output and >45° shielding angle for low glare lighting.
- Two beam angle options with various UGR values.



AC Input Voltage



SDCM <3



IP20 Protection



LED Lifetime >60,000h



Low Glare Design

### PARAMETERS

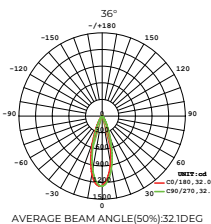
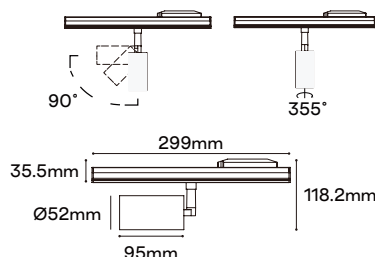
Length	Power	Lumen	Efficacy
572 mm	12 W	1104 lm	92 lm/W
1140 mm	25 W	2300 lm	
2276 mm	50 W	4600 lm	

1. Physical specifications according to 4000K and Ra80.
2. Module length indicates the length of the profile and the thickness of two end caps, where each end cap is 2mm thick.
3. The listed are the typical values. Actual value may differ; changes may be made without notice. The tolerance of output data can vary up to 10%.
4. Lumen maintenance report and IES files upon request.

# Alta 60

## SPOTLIGHT 52

A60S-52WA



### FEATURES

- Power supply included.
- Low glare spotlight with two beam angle options.
- Horizontally and vertically adjustable.



AC Input Voltage



SDCM <3



IP20 Protection



LED Lifetime >60,000h



Low Glare Design

### PARAMETERS

Size	Power	Lumen	Efficacy
Ø52 mm	12 W	960 lm	80 lm/W

1. Physical specifications according to 4000K and Ra90.
2. Module length indicates the length of the profile and the thickness of two end caps, where each end cap is 2mm thick.
3. The listed are the typical values. Actual value may differ; changes may be made without notice. The tolerance of output data can vary up to 10%.
4. Lumen maintenance report and IES files upon request.

### COLOUR TEMPERATURE

- 3000K
- 3500K
- 4000K

### COLOUR RENDERING

- CRI >90

### DIMMING

- Non-dim
- DALI
- 0-10V

### FINISH

-  Black
-  White

### BEAM ANGLE

- 24° (UGR<13)
- 36° (UGR<10)